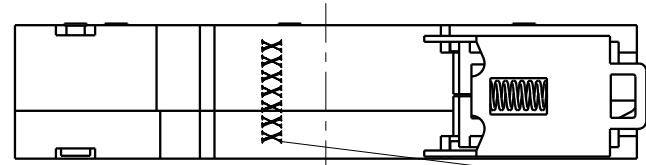


0126010071

Rejigger Index						
REV.	Mark	Qty	Verified Content	Description	Verified /Date	Rejigger /Date



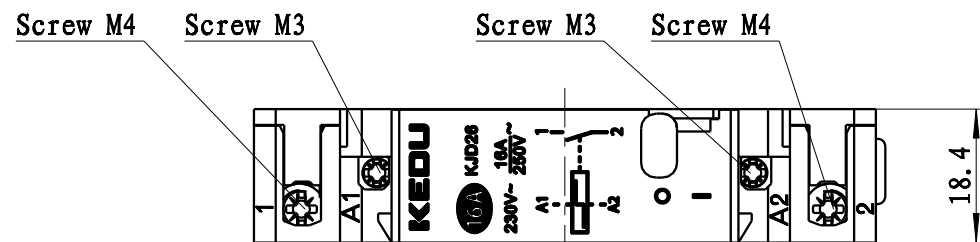
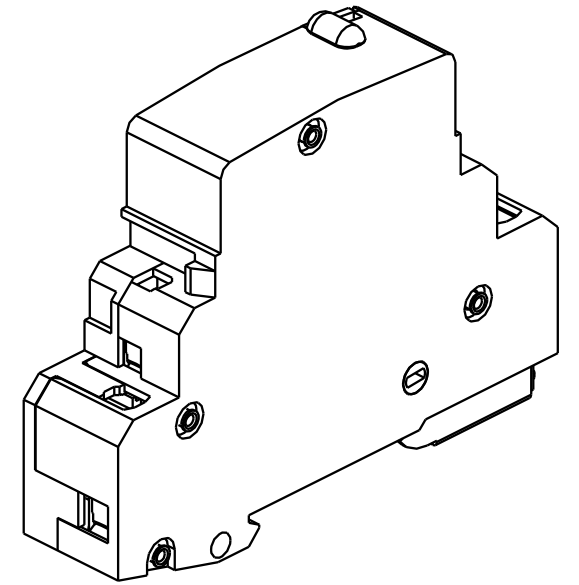
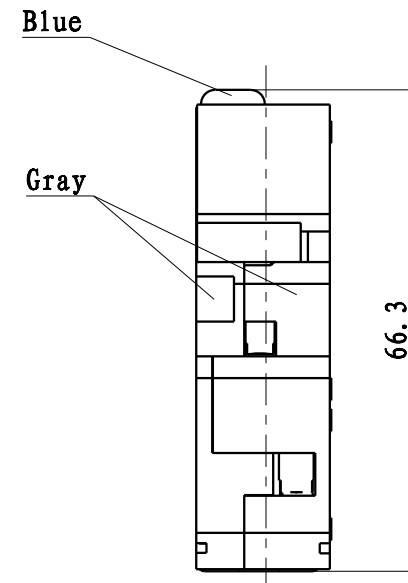
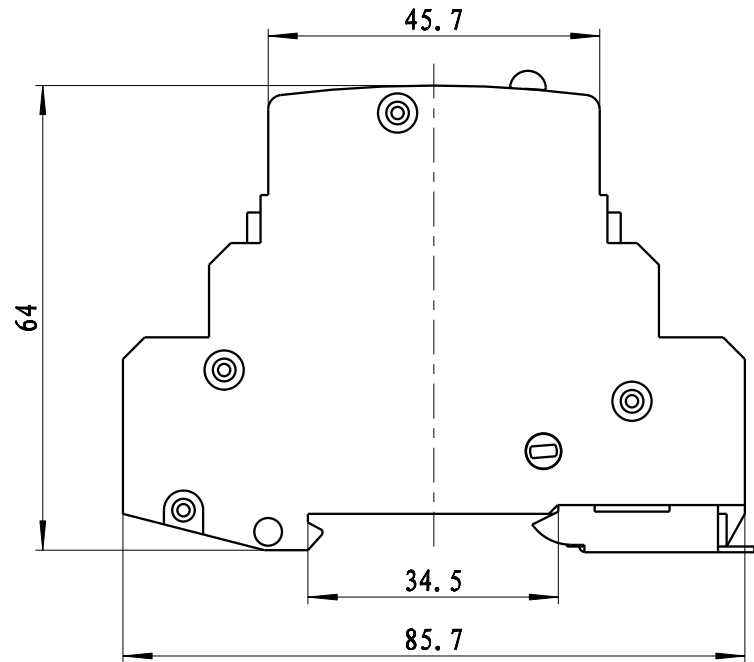
Manufacturing Date

Manufacturing Date

XXXXXX

Week  
Year  
Workshop

e.g. 05A1413

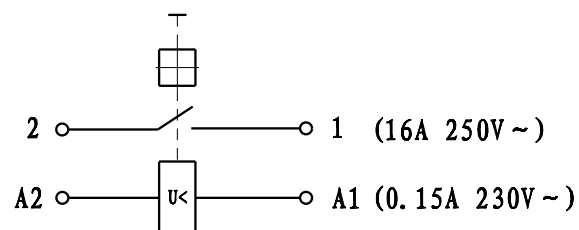


Certification	EN 60669-1/-2-4
Parameters	16A-16AX 250VAC 50Hz

Technical Requirement

1. Type: KJD26;
2. Certification and rating: see the table;
3. Coil Voltage: 230V 50Hz;
4. Terminal and torque: screw M3 0.5N·m  
screw M4 1.2N·m
5. Installation: DIN guide rail EN60715, 35mm;
6. Regulation: RoHS.

circuit diagram



Tolerance Not Marked				
Basic Dimension	>0 ~ 6	>6 ~ 30	>30 ~ 120	>120 ~ 300
Tolerance	± 0.1	± 0.3	± 0.5	± 1
Designed by	曾聪	20190621	standardization	王思琦
Collated by	王思琦	20190621	Examled by	陈东
Checked by	廖军	20190621	Drawed by	曾聪
Technics			Approved by	李子平

ASSEMBLE OUTLINE			KEDU ELECTRIC	
Phase Mark			REV.	Scale
S			A	1:1
Current Page			Total Page	
			012601013	
			Electromagnetic Switch	
			0126010071	

Common use register  
Drawing  
Collation  
Old Bottom Drawing No.  
Bottom Drawing No.  
Signature  
Date